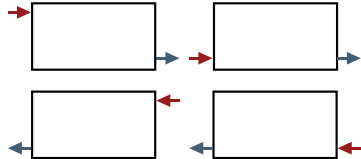


TAPPING OVERVIEW

| Tapping code | Tapping type | Tapping possibilities |
|--------------|-----------------|--|
| 10 | ABCD (4 tap) |  |

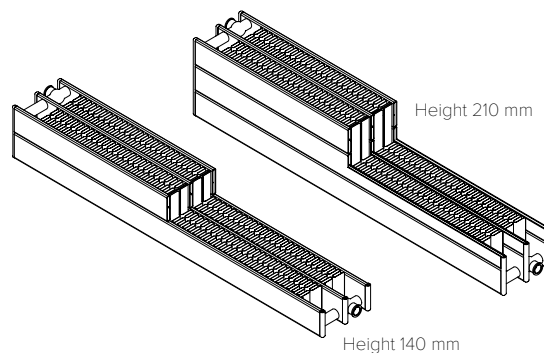
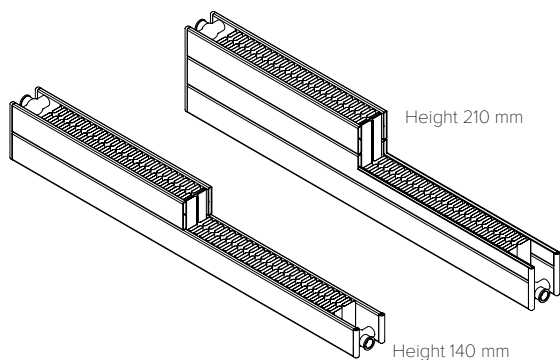
ILLUSTRATIONS

VIEW FROM THE FRONT

Drawing 4.1

Type 20

Type 30



DIMENSIONS

Drawing 4.2

