

INTEGRAL BENCH



Datasheet

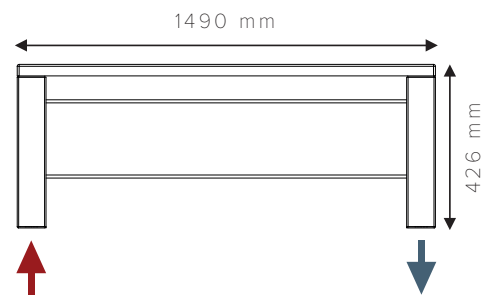
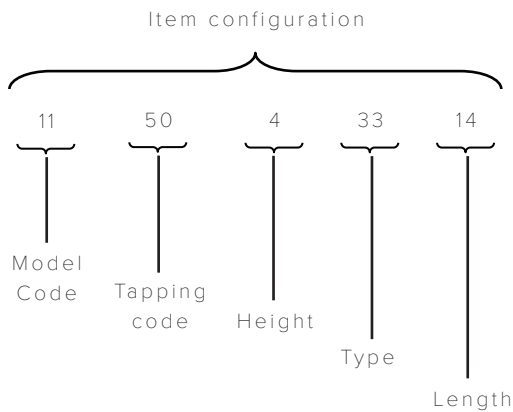
INDEX

Specification	2
Description.....	3
Tapping overview	4
Built-in Valve.....	5
Other options.....	5
Illustration.....	6
Dimensions.....	6
Output.....	7
Maintenance	7
Accessories.....	7

SPECIFICATION

HOW TO SPECIFY AN ITEM

Item number example 115043314



Note

Thermostat is not included in the product - should be ordered separately.

Please also note that tapping code 50 and 51 are supplied as a kit that must be assembled on site.

DESCRIPTION

Imagine if a radiator was not simply a radiator but also an attractive piece of furniture. Integral Bench is just that! Pipes and valves are concealed in the legs for a smooth and simple installation and makes the radiator a perfect piece of your interior. With different choice of wooden seat we are sure the Integral bench will compliment your interior decoration and style.

Material	Radiator panels: 1.20 mm steel according to EN10051 Heating element: steel panel according to EN442, Sidepanels in 3 mm steel plate.
Front plate	1,20 mm steel plate
Test pressure	13 bar
Weight	Max. 60 kg in length 2090 mm
Max. operating pressure	10 bar
Max operating temperature	95°C
Warranty	10 years (on radiator)
Surface treatment	Pretreatment: Degreasing and passivation. Priming: Water-based primer in light gray. Powder coated in accordance with DIN 55900, EN 442
Length	1290-2090 mm, in 200 mm increments
Height	426 mm
Depth	228 mm
Tappings	All tappings 1/2" standard (adapters available) Automatic air vent is located beneath the bench top
Optional extras	Electrical socket integrated in side panel
Installation	Floor mounted The valve must be fitted at the base of the radiator above the floor level
Colour	Powder coated in grey RAL 7022, gloss 70 Option: Painted in other colours. Please check out the Hudevad Radiator Design Colour Brochure online at www.hudevad.com
Bench top	Lacquered, oven-dried, solid beech in long blocks Bench top can also be supplied in ash and oak at additional charge. All bench tops are made with grade A building quality wood. 30 mm thickness

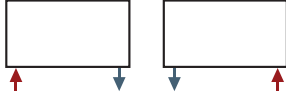
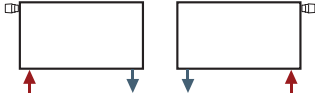
Note

As wood is a natural material, there will be some natural variations in colour, dimensions and grain structure between bench tops and between the various wood types.

Note Thermostat, screws etc. are not included.

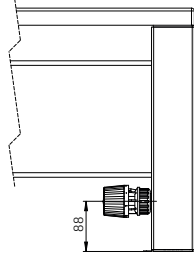
HUDEVAD
RADIATOR DESIGN

TAPPING OVERVIEW

Tapping code	Kit	Tapping type	Tapping possibilities
50	✓	E/F, no valve	
51	✓	E/F, with valve R/L	

BUILT-IN VALVES

BUILT-IN VALVE



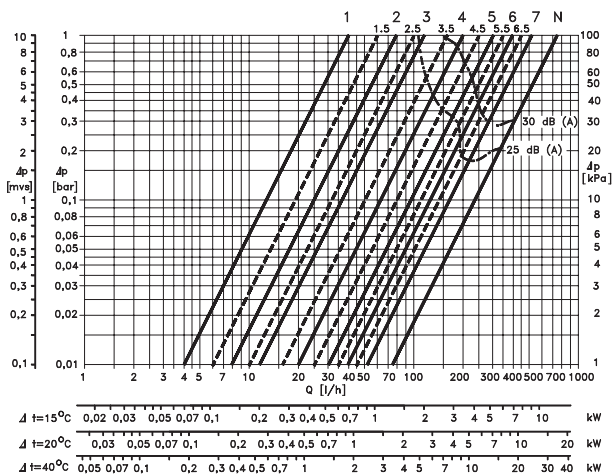
Drawing 5.1

Application For use where a thermostatic valve is to be integrated within the radiator.

Built-in valve Tapping codes 51 is fitted with a Danfoss RA-N valve.

Tapping code 51
Valve with presetting

Type	Code no.	Description
RA-N 15	013G0014	Rp 1/2 - Straight



Drawing 5.2

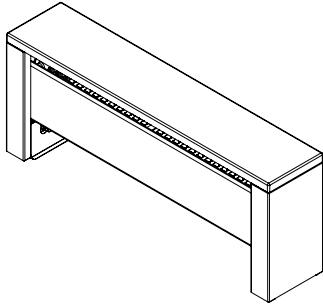
OTHER OPTIONS

OTHER CONNECTIONS

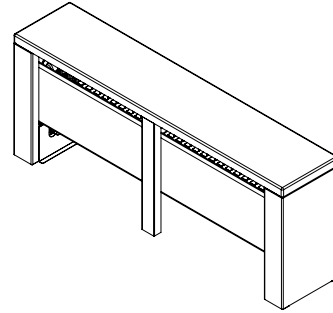
Sometimes a build or location requires something out of the ordinary, so if you need a connection not mentioned in our tapping overview, then please contact our sales office at contact@hudevad.com and we will do our utmost to assist you.

ILLUSTRATION

3D view showing model up to length 1490 mm



3D view showing model with additional support feet at lengths above 1490 mm



Drawing 6.1

No. of additional support feet

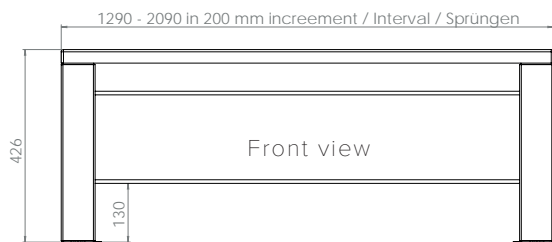
1

Length, mm

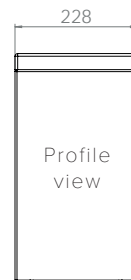
1490 - 2090

DIMENSIONS

Height and length

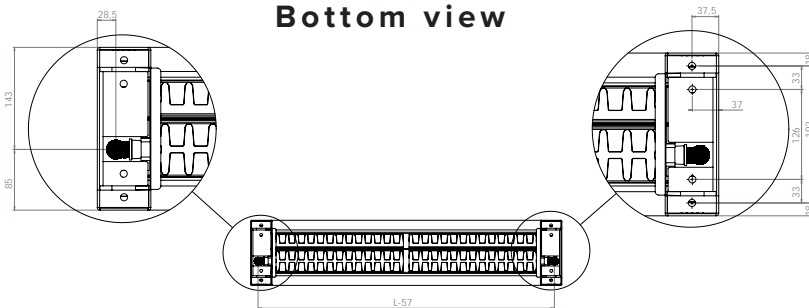


Depth



Drawing 6.2

Bottom view



HUDEVAD
RADIATOR DESIGN

OUTPUT

TAPPINGCODE 50 AND 51

INTEGRAL BENCH	Output			Water content	Weight
	Height, mm	W/metre 75°/65°/20°	W/metre 70°/40°/20°	litres/ metre	kg/ metre
200	788	461	271	4.2	34

MAINTENANCE

The bench top is made of oven-dried solid wood blocks glued together and coated with slow-curing varnish. As wood is a natural material, there will be some natural variations in colour, dimensions and grain structure between bench tops and between the various wood types.

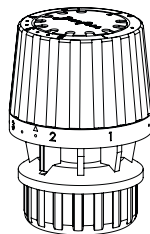
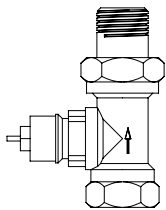
Light wood types such as beech will darken in time, becoming more uniform in colour. On the other hand, dark wood types such as mahogany may become slightly lighter. This is quite natural as wood is a living material.

Basically, the bench top requires no special care. Should it be necessary to clean the surface, never use cleaning agents which contain spirit/alcohol-based solvents, oil-based solvents or abrasive cleansers.

A weak detergent in warm water is recommended for everyday cleaning. After cleaning, dry the surface thoroughly with a dry cloth.

ACCESSORIES

DANFOSS ACCESSORIES



Drawing 71

Hudevad recommends use of Danfoss accessories when fitting the radiator. For further accessories please refer to the Hudevad Pricelist.